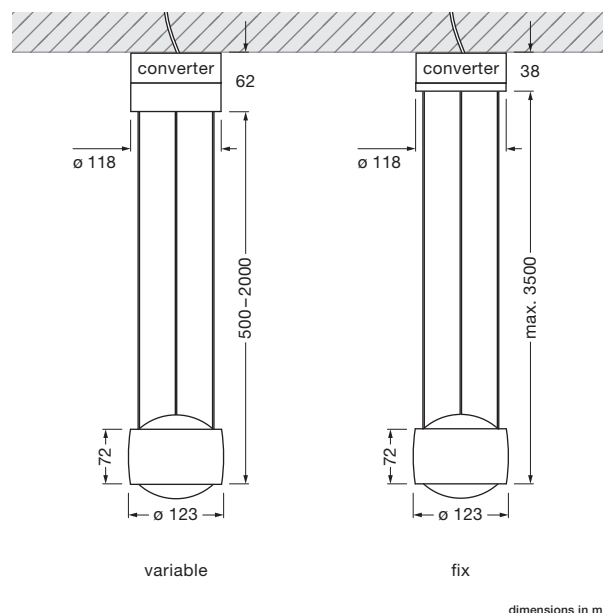


Sento sospeso up datasheet

LED suspended luminaire with double sided light output, luminous power 32 W (version with chrome finish 26 W). Ratio of up and down light adjustable. Lighting effect changeable via optional inserts.

up-version with height adjustment: LED suspended luminaire freely height adjustable and high base incl. power supply unit (converter) for mounting on fixed ceiling, connection to 230 V. Remote dimmable via trailing edge phase-cut dimmer or with gestures »touchless fading« on the head.

up-version with fixed length: LED suspended luminaire with a fixed adjustable height and high base incl. power supply unit (converter) for mounting on fixed ceiling, connection to 230 V. Remote dimmable via trailing edge phase-cut dimmer or with gestures »touchless fading« on the head.



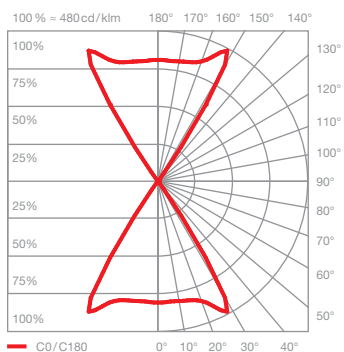
technical data Sento sospeso up

properties	material	aluminium, steel chrome-plated, painted or anodised, plastic, glass, optical plastic
	height adjustment (variable)	500 – 2000 mm (variable)
	height setting (fix)	max. 3500 mm (can be adjusted during fitting)
	weight	variable: 2.6 kg / fix: 2.1 kg
surface	head	shiny chrome, matt chrome, glossy white, matt white, matt black, matt gold, rose gold, bronze, phantom, black phantom
	base	shiny chrome, matt chrome, glossy white, matt white, matt black, matt gold, rose gold, bronze, phantom, black phantom
Occhio LED	average life time	> 50.000 hrs
	energy efficiency class	G
	power	32 W / 26 W*
	color rendering index	perfect color; CRI Ra 97 high flux; CRI Ra 85
	color temperature	2700, 3000 K 3000, 3500, 4000 K
	recommended use	residential and public public
electricity	dimming	>touchless control« and Occhio air (optional) or via trailing-edge phasecut dimmer**
	power supply unit	integrated, for use with 230 V AC
	permitted operating conditions	max. 30°C for indoor use only

* version chrome, rose gold, bronze, phantom ** For a list of compatible dimmers, see www.occhio.de/dim_en, trailing-edge phasecut dimmer and Occhio air not combinable



Sento sospeso up lighting effects

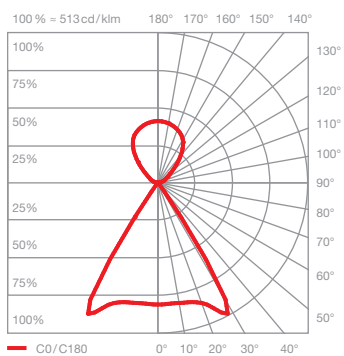


Sento D

directed light in both directions beam angle approx. 80°

inserts: lens
lens

luminous flux:	perfect color	32 W	2070 lm
	high flux	32 W	2920 lm
	perfect color	26 W	1690 lm
	high flux	26 W	2300 lm



Sento E

diffuse up light directed down light beam angle approx. 80°

inserts: satinised glass
lens

luminous flux:	perfect color	32 W	1940 lm
	high flux	32 W	2730 lm
	perfect color	26 W	1580 lm
	high flux	26 W	2150 lm